

# Audio Frame

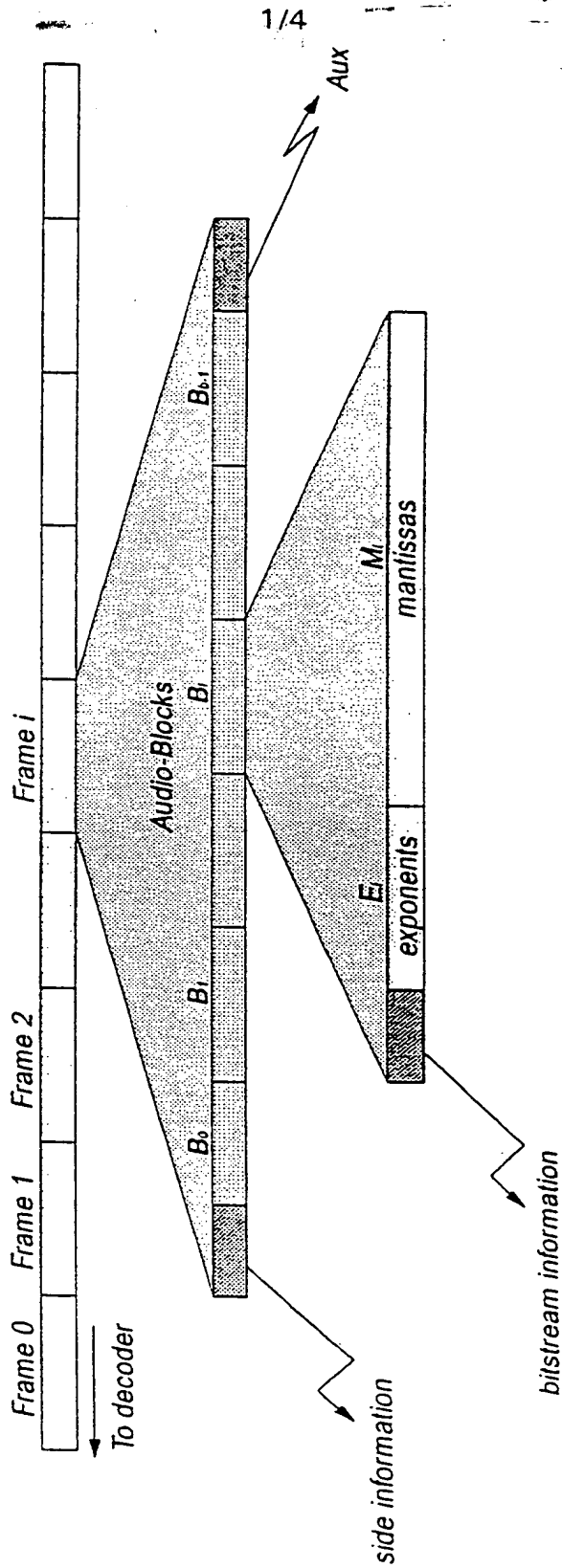


Fig. 1

# AUDIO ENCODER

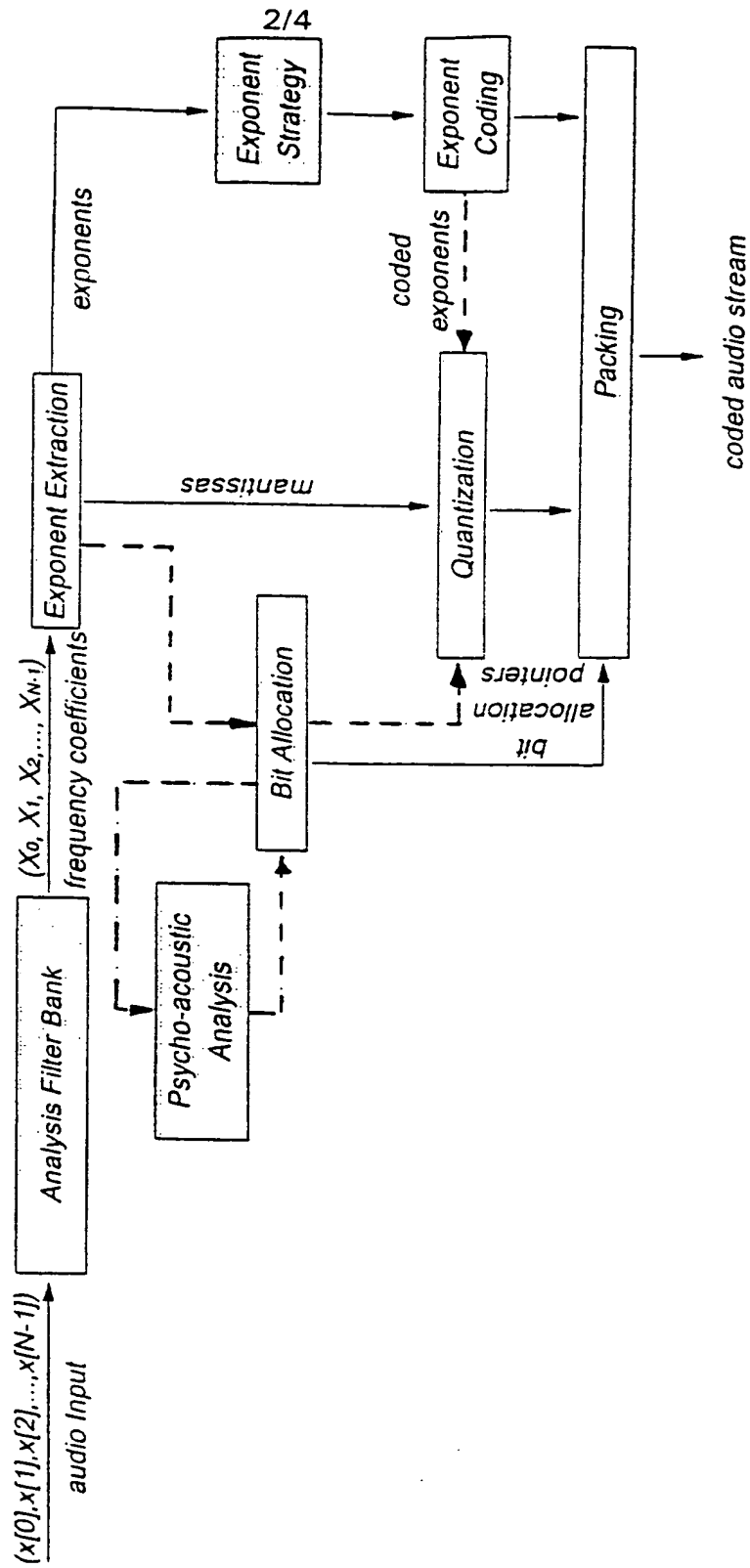


Fig. 2

002207 9622000

# Fast Modified Discrete Cosine Transform (single channel)

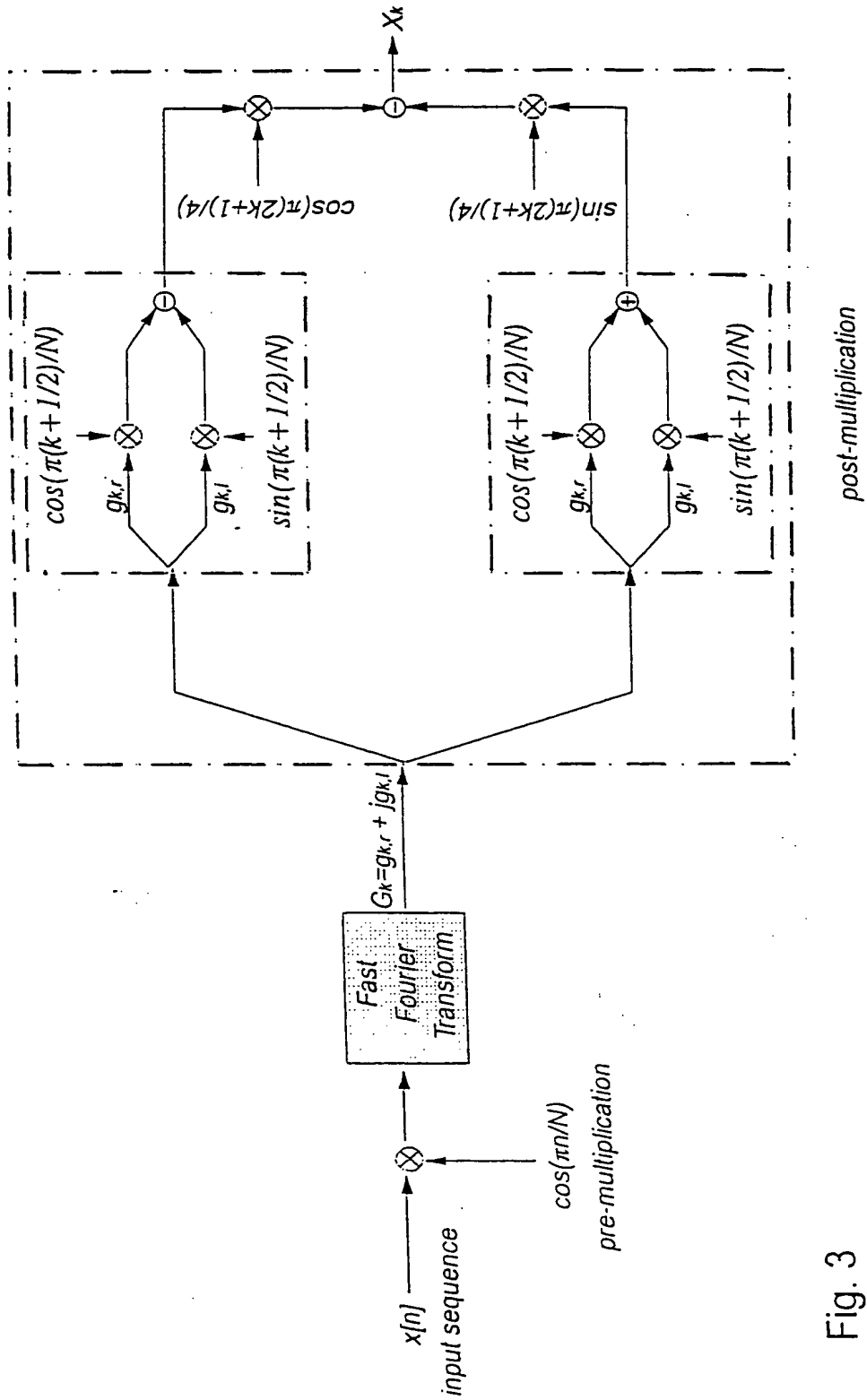


Fig. 3

AMENDED SHEET

# Combined Fast Modified Discrete Cosine Transform (two channels)

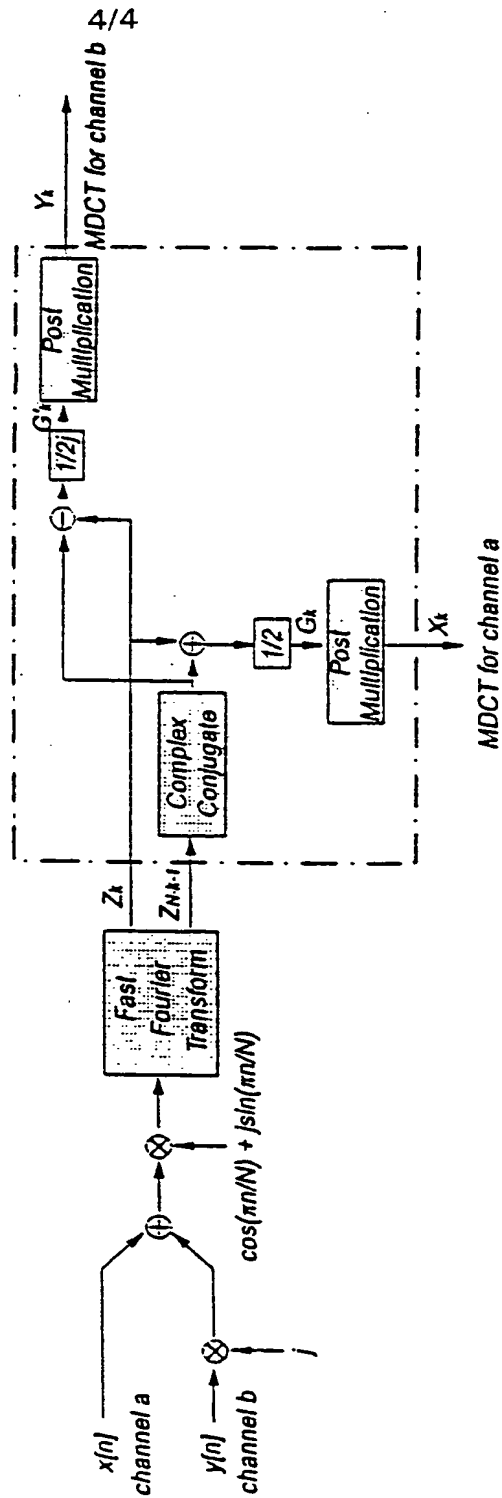


Fig. 4